



PROPER ENCLOSURE SOLUTIONS LTD

Overview

PES have a vast range of single, double and triple width Instrument Protection Sunshades that are designed to protect single instruments, 2 instruments side-by-side or a panel installation.

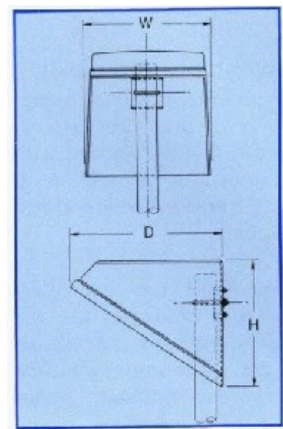
Mounting arrangements are flexible and can include 316 St.St. mounting for a single or twin 2" NB Pipestand, clearance holes to suit panel or wall mounting, or individual transmitter 'head' mounted applications.

Manufactured from robust GRP with an external Gel-coat finish, the Sunshades can protect sensitive Instrumentation from the temperature damage that can be caused by direct sunshine and also falling debris and airbourne dirt particles.

Single Instrument Shades

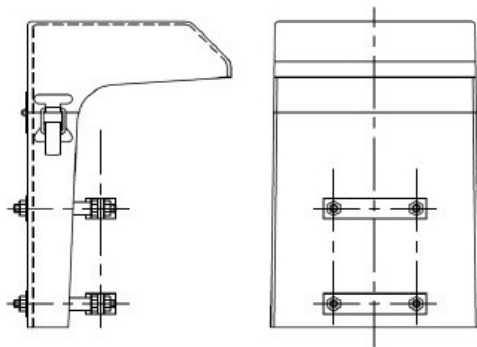
Standard colours for Sunshades are RAL7032 Light Grey, RAL7001 White, or Reduced Surface Resistance (Anti-Static) to EN60079 Mid Grey. Other colours available on request.

Model	W	D	H
JSS291	200	200	300
PE451	220	365	125
PE453	345	405	160
PE461	300	250	240
PE462	405	315	165
PE415	360	445	370

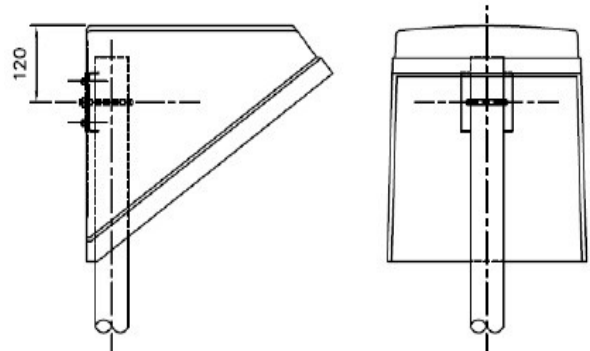


Mounting Options

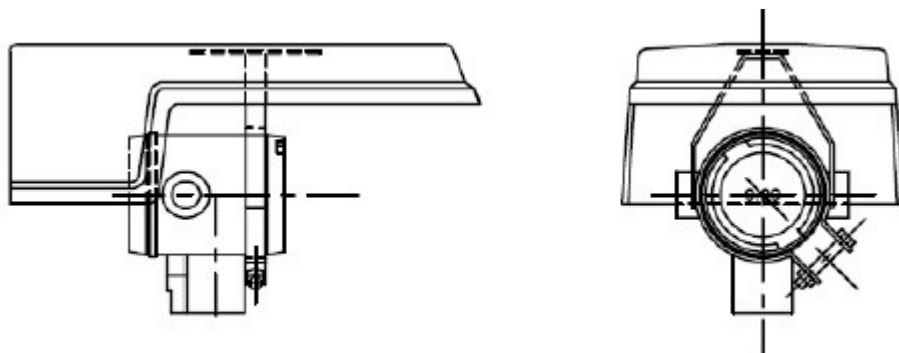
Bespoke Mounting



Standard 2"NB Pipestand Mounting



Instrument Head Mounting



4
0
0
S
E
R
I
E
S
I
N
S
T
R
U
M
E
N
T
S
H
A
D
E



PROPER ENCLOSURE SOLUTIONS LTD

Large & Multiple Instrument Shades

Purpose designed GRP Instrument Shades to protect larger single instruments, multiple instruments or panel assemblies.

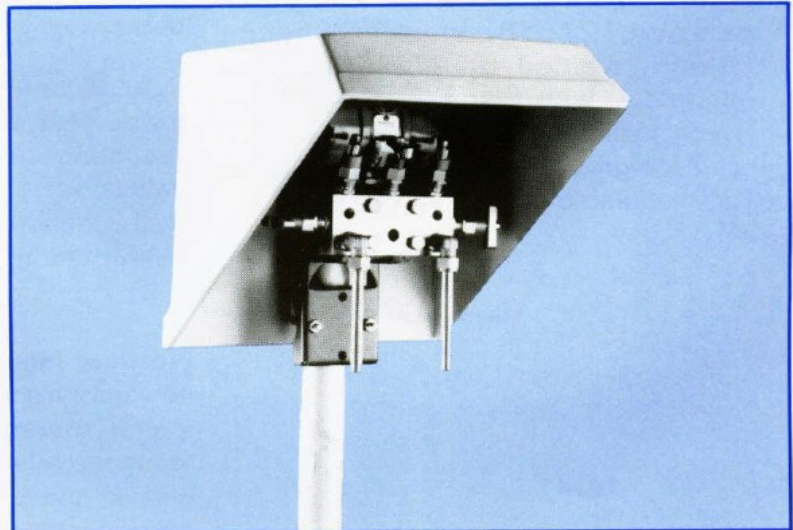
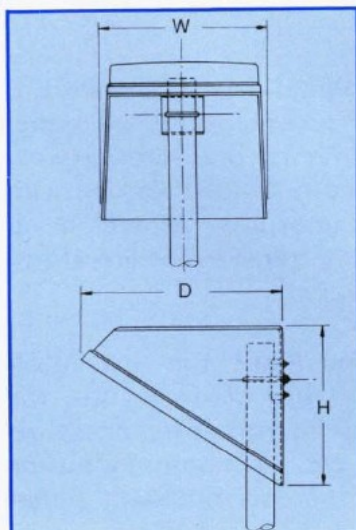
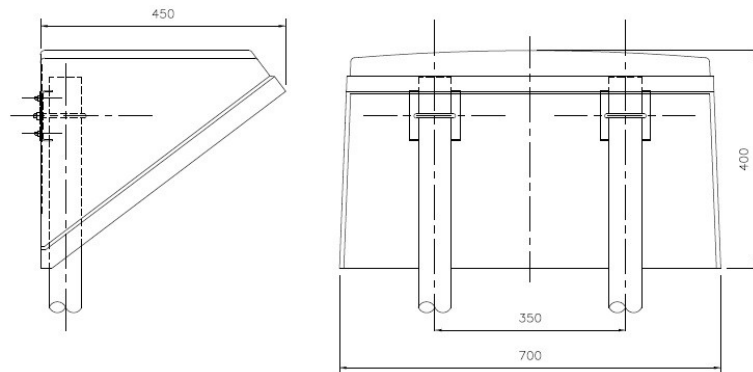
Shades can be supplied complete with mounting system to suit 2" NB pipestand, allowing the shade and the instrument to be easily mounted to the same pipestand. Mounting system consists of 316 stainless steel profiled mounting plate and "U" bolt.

Alternatively Shades can be drilled to suit wall or panel mounting, or a customised mounting solution can be designed to suit individual applications.

Standard colours for Sunshades are RAL7032 Light Grey, RAL9010 White, or Reduced Surface Resistance (Anti-Static) to EN60079 Mid Grey. Other colours available on request.

Model	W	D	H
PE417	500	450	400
PE418*	700	450	400
PE419*	1000	450	400
PE425	450	600	400
PE426	530	640	430
PE427	600	600	400
PE428*	900	600	400
PE429*	1100	600	400

*Fitted with Twin Mounting System in Standard Version.



4
0
0
S
E
R
I
E
S
I
N
S
T
R
U
M
E
N
T
S
H
A
D
E